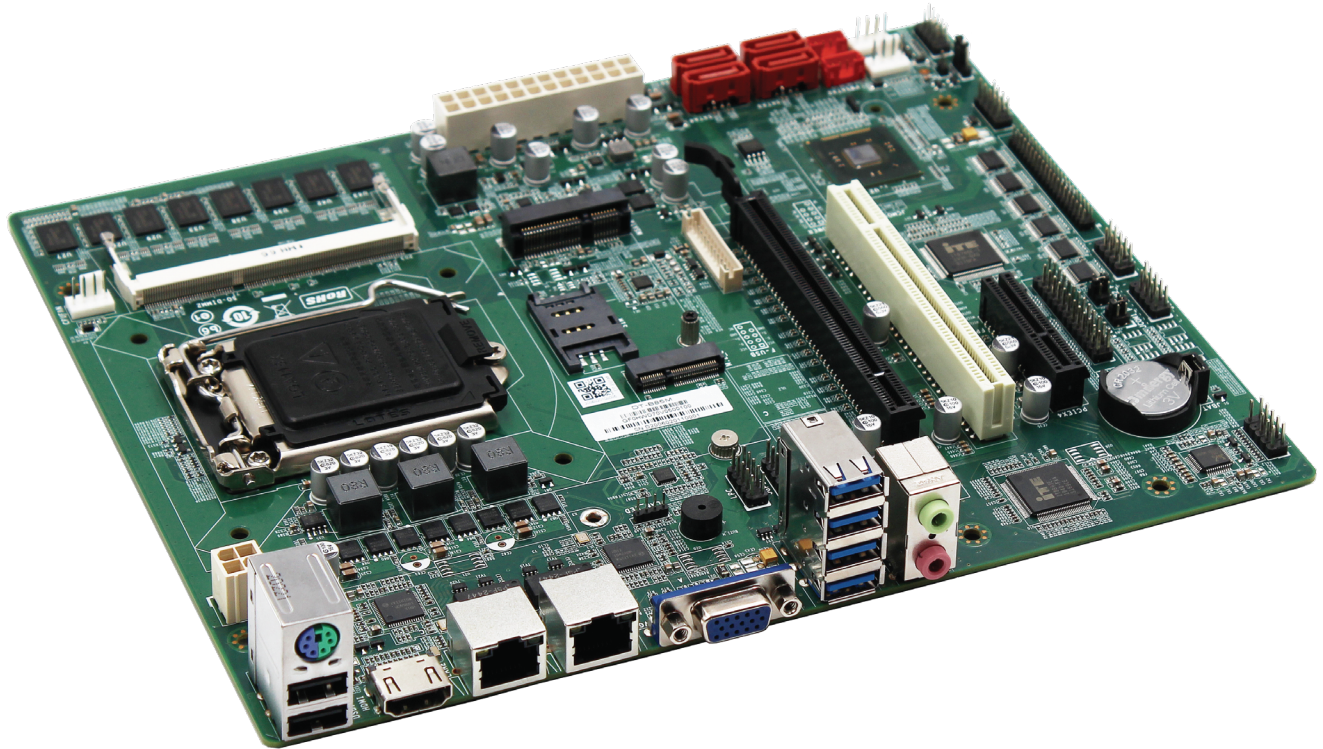


HWD-70

Intel Haswell LGA1150 based Embedded Micro ATX
Motherboard with PCH B85



Features

- CPU: Intel Haswell CPU + PCH B85
- Memory: 1x SO-DIMM DDR3 support dual channel up to 16 GB
- Display: Display via 1xHDMI1.4 + 2xVGA (1*onboard pins)
- Ethernet: 10/100/1000 Mbps
- Storage: SATA3.0, SATA2.0, mSATA,
- Expansion: M.2, PCIe4X, PCIe16X, PCI
- Power: ATX_24PIN + 4PIN



IoT Solutions
Alliance
Industrial Solution
Builders Specialist

Maxtang[®]

MAXIMIZING YOUR COMPUTING PRODUCTIVITY

Introduction

The HWD70 is a micro ATX motherboard based on the Intel Haswell LGA1150 CPU with B85 chipset, provides a complete PC platform with powerful performance. The board supports up to 16GB of two SO-DIMM DDR3 memory with multiple displays via 2xVGA+HDMI. It has two 1-Giga-bit Ethernet controllers, M.2 for Wi-Fi; PCI and PCIe for expansion, 4xSATA, and 1x mSATA for storage. A rich interface includes 6x COM, 6 x USB2.0, 4 x USB3.2 Line-out, and Mic-in caters to most market requirements. It is designed with a rich interface to meet all kinds of applications like data processing, transmission, and displaying.

The HWD 70 is an ideal solution for various industrial uses. It retains the robust design just like all other Maxtang products with cost advantages. Our goal is to provides you a great customer experience with a great product base on flexibility and reliability. Its high performance and low power consumption reach a balance and make it suitable for various complicated scenarios. We could help you customize the board based on what fits the best for your applications with the lowest costs.



H/W Monitor



Watchdog

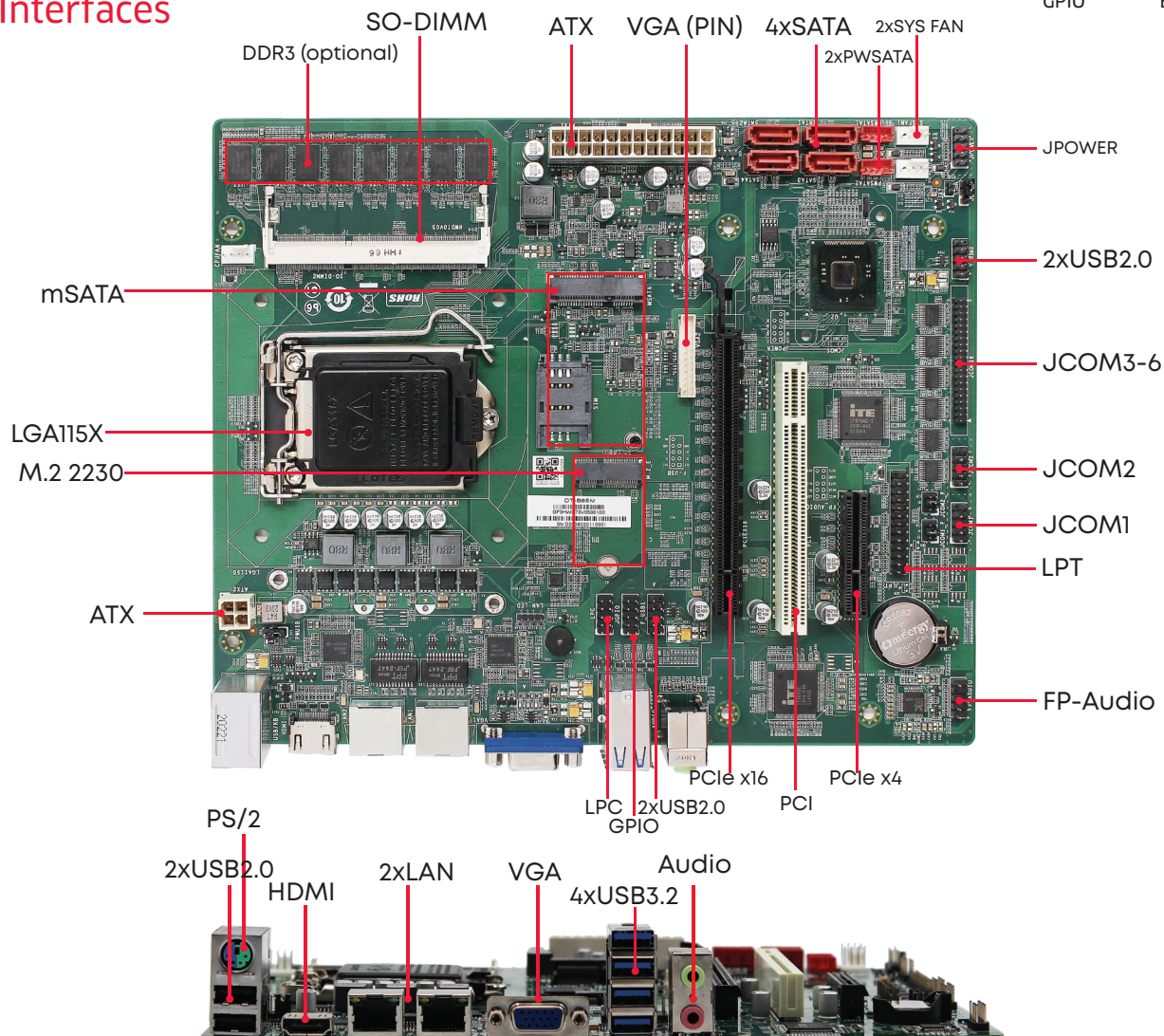


GPIO



Brightness

I/O Interfaces

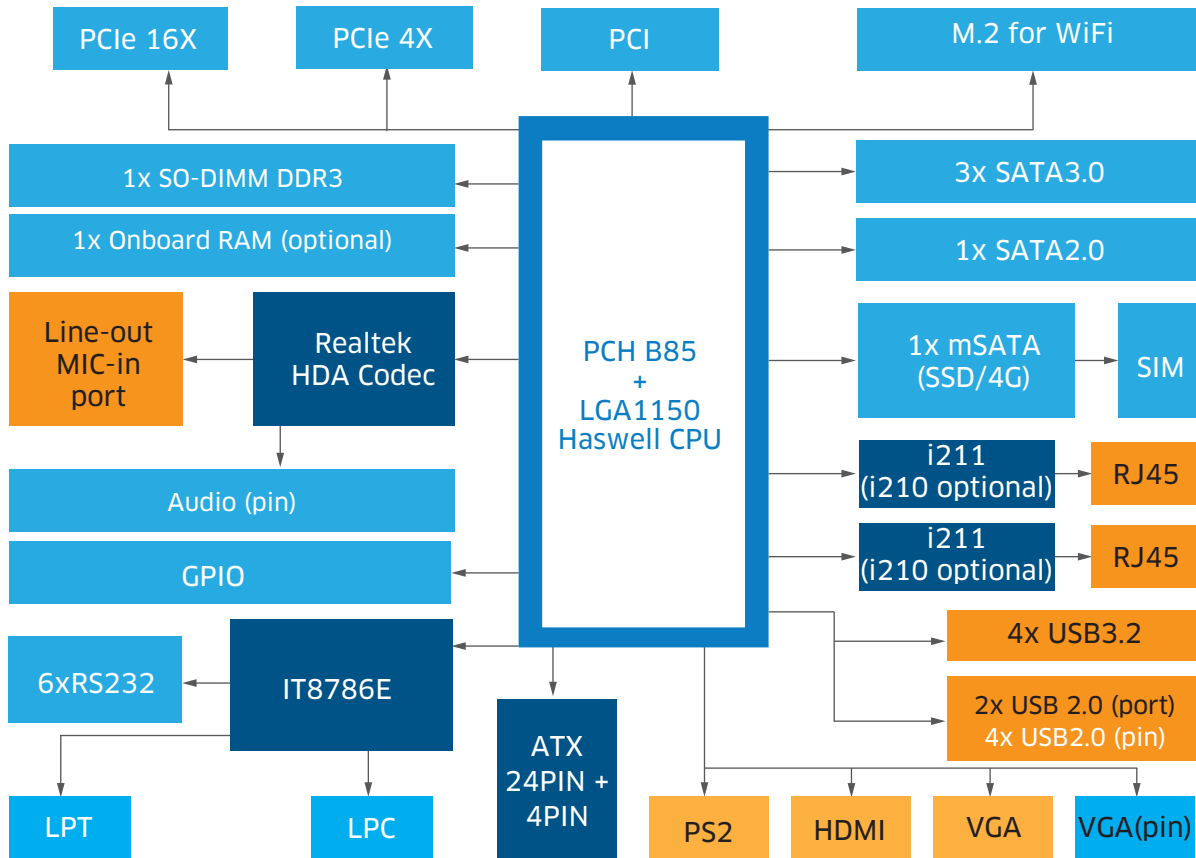


Technical Specifications

Processor	CPU	Intel Haswell LGA1150 Processor
	Chipset	PCH B85
	BIOS	AMI UEFI BIOS
Memory	Type	1x SO-DIMM DDR3, Support Dual Channel on-board optional (4G/8G)
	Max Capacity	16GB
Display	GPU	Intel HD Graphics based on CPU
	Port	1x HDMI + 1x VGA+ 1x VGA (on-board pin)
Ethernet	Speed	10/100/1000 Mbps
	Controller	Intel i211/i210 optional
	Interface	RJ45
Audio	Audio Codec	Realtek HD
	Interface	Line-out, Mic-in, Audio header
Hardware		CPU and system temperature, on-board voltage, watchdog
Storage	SATA	1x SATA2.0 + 3x SATA3.0
	mSATA	1x mSATA3.0 (4G module optional)
Expansion	M.2	1x M.2_E 2230 for Wi-Fi
	PCI	1
	PCIe	1x PCIe16X +1x PCIe4X
I/O Interface	LAN	2
	COM	6x COM (COM1 and COM2 can be RS485/RS422)
	USB2.0	6 (2 Ports+ 4*header)
	USB3.2	4
	Audio	1x Mic-in + 1x Line-out
	PS/2	1
	GPIO	1
	LPT	1
	LPC	1
	Dimension	Size
Board Type		Micro ATX
Power	Standard Port	ATX_24PIN + 4PIN
Temperature	Operating Temp.	-40°C to 60°C
	Storage Temp.	-40°C to 60°C
Cooling Method		Active (Fan)
Operating System		Windows 7/8.1/10, Linux

* All specifications and photos are subject to change without notice.

Functional Block Diagram



Copyright © 2018 Maxtang Technology Co. Ltd. All rights reserved. All data is for information purposes only and not guaranteed for legal purposes. Information has been carefully checked and is believed to be accurate however, no responsibility is assumed for inaccuracies. Maxtang and the Maxtang logo and all other trademarks or registered trademarks are the property of their respective owners and are recognized.